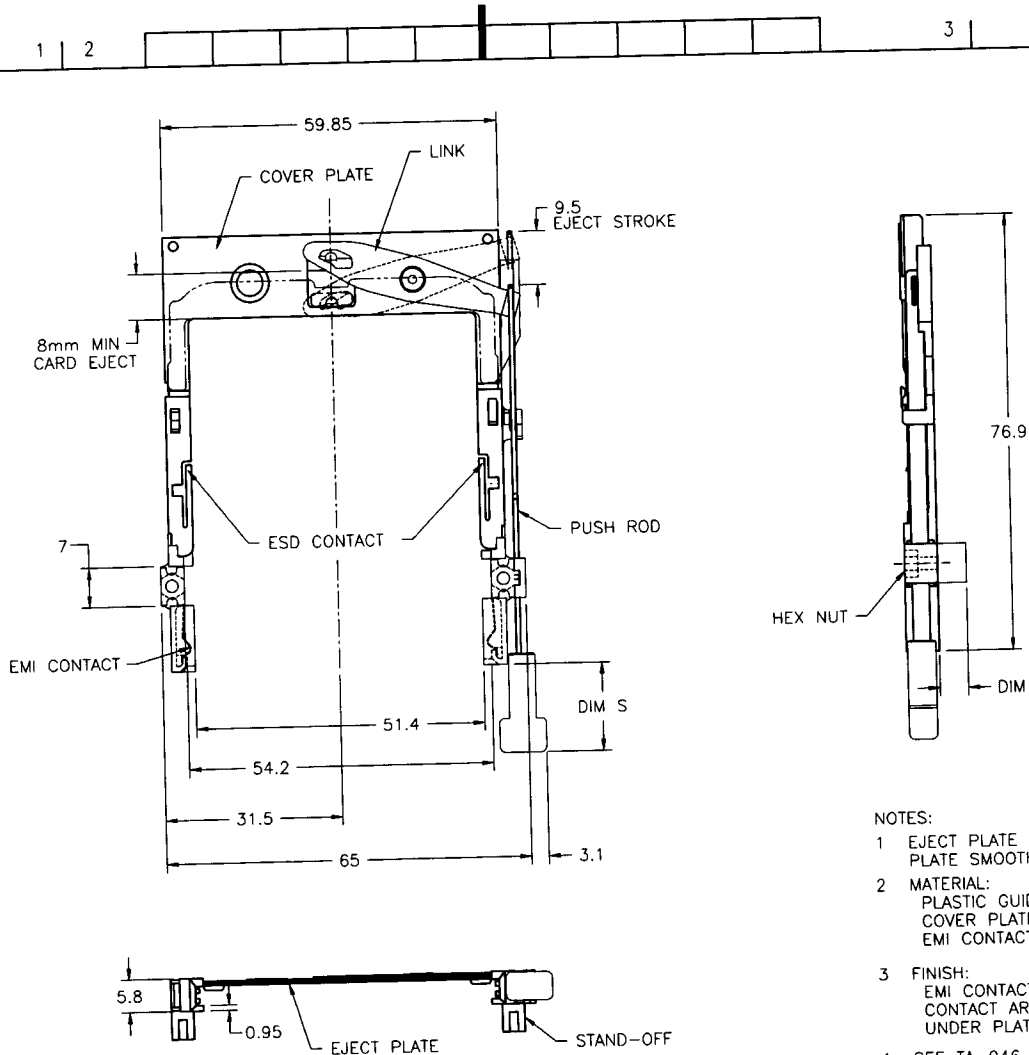


Tous droits strictement réservés. Reproduction ou communication a des tiers interdite sous quelque forme que ce soit sans autorisation écrite du propriétaire. Propriété de ©BERG ELECTRONICS. Droits de reproduction BERG ELECTRONICS INC.



All rights strictly reserved. Reproduction or issue to third parties in any form whatever is not permitted without written authority from the proprietor. Property of ©BERG ELECTRONICS Copyright BERG ELECTRONICS INC.

PRODUCT NO.	STAND-OFF DIM L	DIM S
95627-00CA	0	13
95627-02CA	2	
95627-022CA	2.2	
95627-04CA	4	
95627-043CA	4.3	
95627-05CA	5	15.6
95627-00DA	0	
95627-02DA	2	
95627-022DA	2.2	
95627-04DA	4	
95627-043DA	4.3	21
95627-05DA	5	
95627-00FA	0	
95627-02FA	2	
95627-022FA	2.2	
95627-04FA	4	
95627-043FA	4.3	
95627-05FA	5	

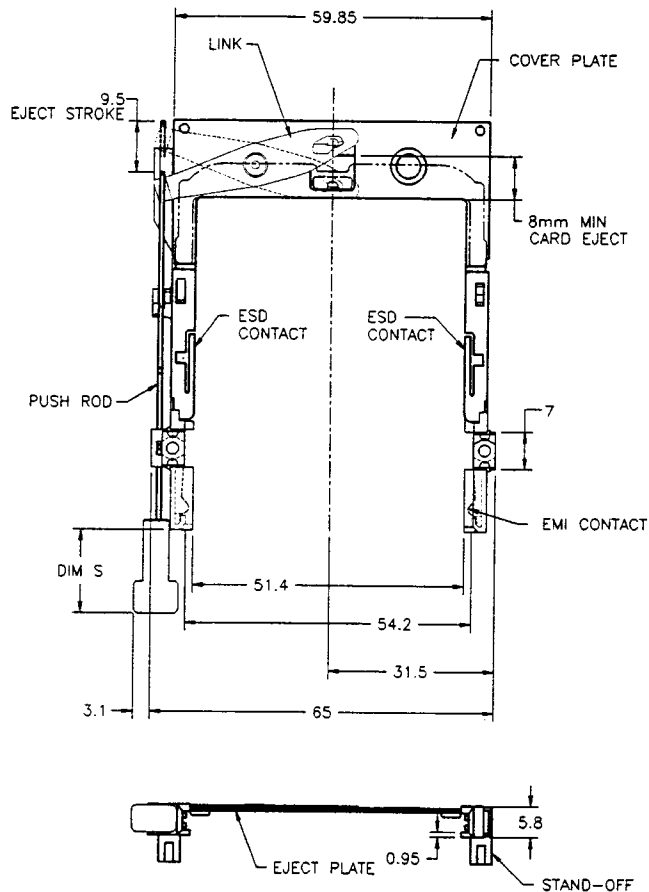
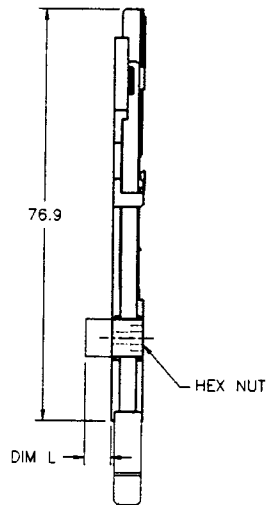


- NOTES:
- EJECT PLATE TO MOVE ALONG INSIDE WALL OF COVER PLATE SMOOTHLY AFTER ASSEMBLING WITH HEADER.
  - MATERIAL:  
PLASTIC GUIDES: POLYPHTHARAMIDE UL94V-0 BLACK  
COVER PLATE: STAINLESS STEEL  
EMI CONTACT: PHOSPHOR BRONZE
  - FINISH:  
EMI CONTACT:  
CONTACT AREA: 0.5um Au  
UNDER PLATING: 2.0um Ni
  - SEE TA-946 FOR RECOMMENDED PCB LAYOUT

mat'l. code				tolerances unless otherwise specified			CUSTOMER COPY		BERG ELECTRONICS		
ltr	ecn no	dr	date	linear	.X ±.3		projection	title NARROW BODY FRONT EJECT MECHANISM W/CAPTIVE HEX NUTS			
A	V60519	RHG	3/12/96		.XX ±.13						
B	V92125	CGC	11/10/99	angles	.XXX ±.051		mm	product family MCS code -			
					0° ±2'						
				dr	R.GRPAE	3/12/96	scale	size A4		sheet 1 of 2	
				enr	D.BRANN	3/12/96					
				chr	D.BRANN	3/12/96					
				appd	D.BRANN	3/12/96					
sheet index	revision sheet	B	B								
		1	2				1:1		cage code 22526		

Property of © BERG ELECTRONICS Copyright BERG ELECTRONICS INC.  
 Propriété de © BERG ELECTRONICS. Droits de reproduction BERG ELECTRONICS INC.

PRODUCT NO.	STAND-OFF DIM L	DIM S
95627-10CA	0	13
95627-12CA	2	
95627-14CA	4	
95627-15CA	5	
95627-10DA	0	15.6
95627-12DA	2	
95627-14DA	4	
95627-15DA	5	
95627-10FA	0	22
95627-12FA	2	
95627-14FA	4	
95627-15FA	5	



- NOTES:
- EJECT PLATE TO MOVE ALONG INSIDE WALL OF COVER PLATE SMOOTHLY AFTER ASSEMBLING WITH HEADER.
  - MATERIAL:  
 PLASTIC GUIDES: POLYPHTHARAMIDE UL94V-0 BLACK  
 COVER PLATE: STAINLESS STEEL  
 EMI CONTACT: PHOSPHOR BRONZE
  - FINISH:  
 EMI CONTACT:  
 CONTACT AREA: 0.5um Au  
 UNDER PLATING: 2.0um Ni
  - SEE TA-946 FOR RECOMMENDED PCB LAYOUT

mat'l. code		tolerances unless otherwise specified		CUSTOMER COPY		<b>BERG ELECTRONICS</b>	
itr	ecn no	dr	date	linear	projection	title	NARROW BODY FRONT EJECT MECHANISM W/CAPTIVE HEX NUTS
A				linear	$.X \pm .3$	product family	MCS
				angles	$.XX \pm .13$	size	dwg no
				dr	$.XXX \pm .051$	scale	95627
				enrg	$0^\circ \pm 2^\circ$	1:1	sheet 2 of 2
				chr	R.GRAPE 3/12/96		
				appd	D.BRANN 3/12/96		
sheet index	revision sheet						

form no. 7530-001-103

1 | 2

3 |

cage code  
22526

4